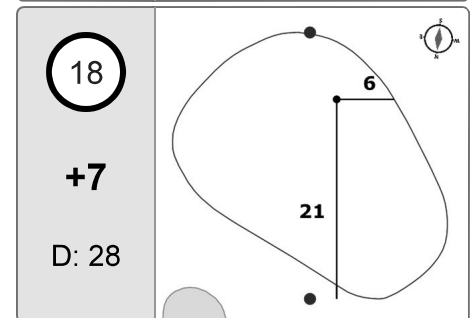
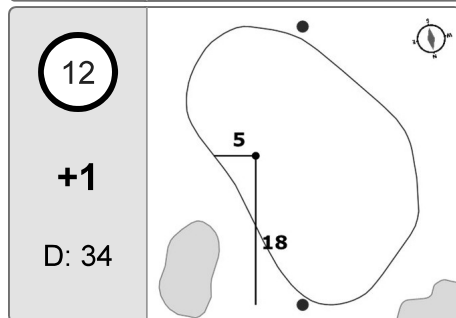
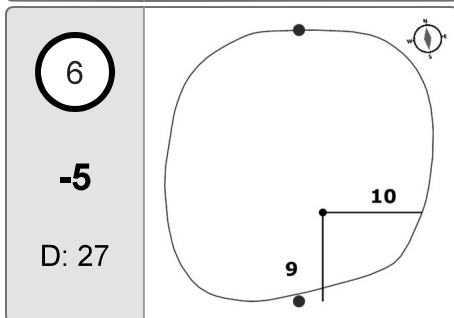
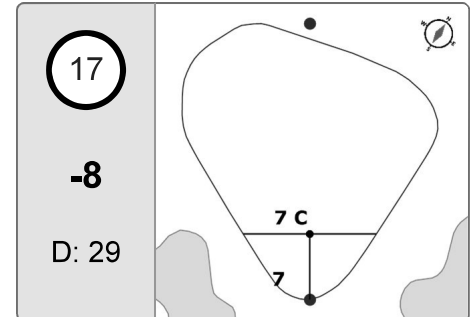
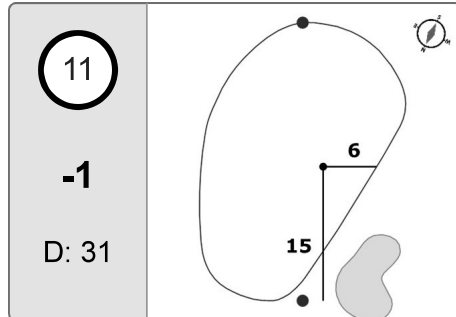
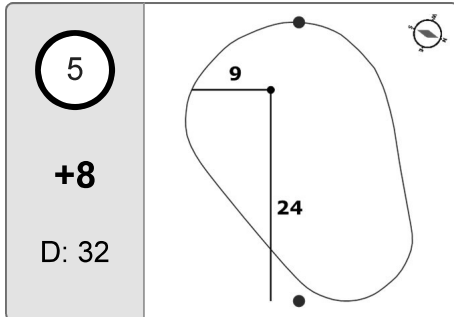
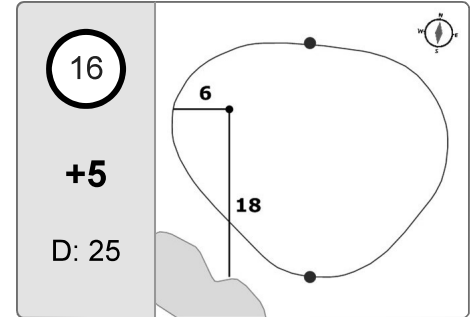
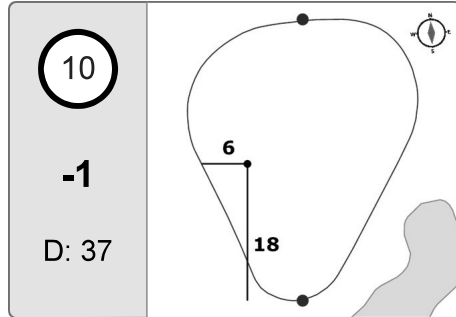
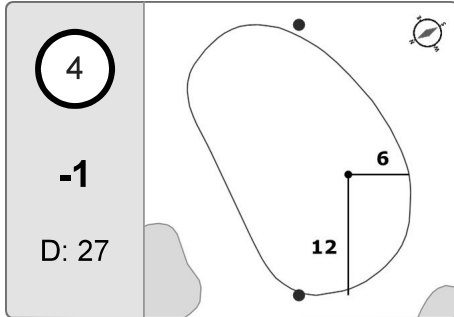
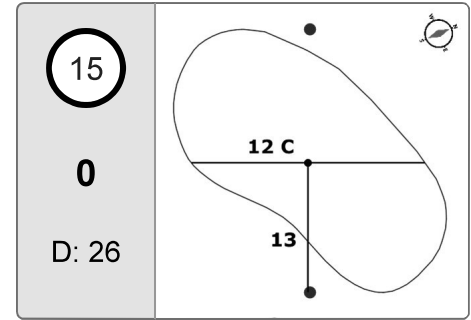
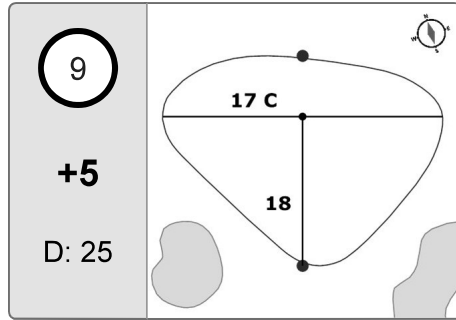
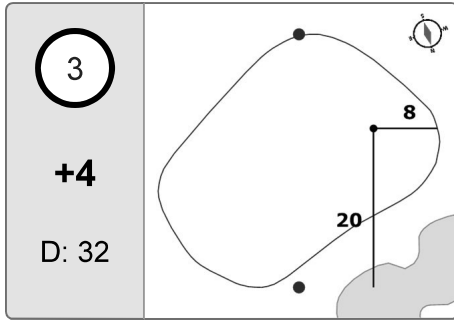
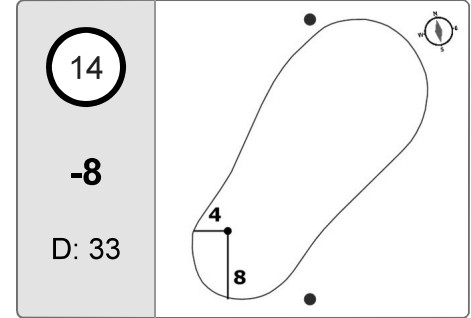
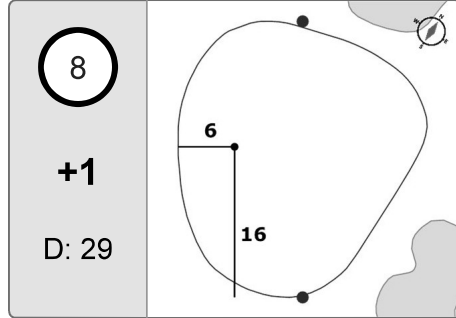
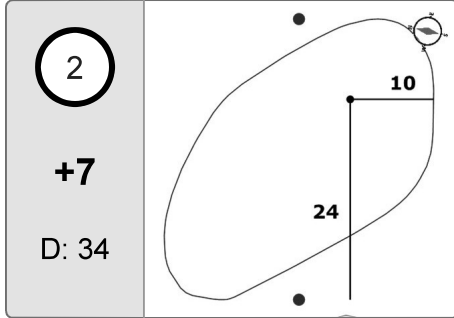
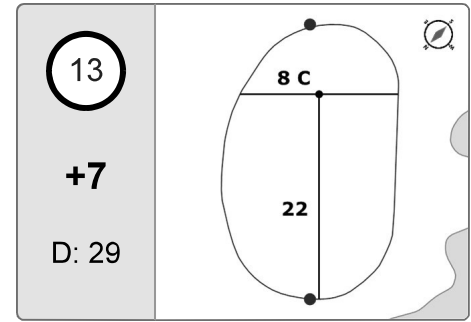
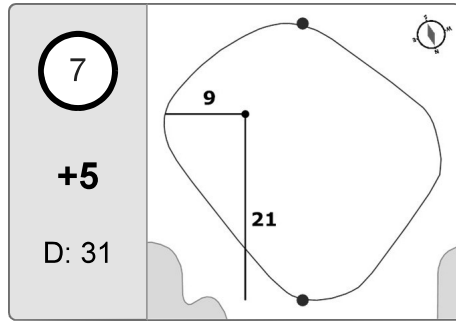
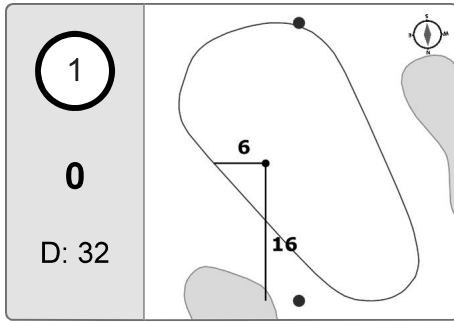


Twin Lakes Golf Course (Lakes)

Round Two Hole Locations





**36-Hole VSGA Junior Golf Circuit Event**  
**Twin Lakes Golf Course (Lakes Course)**  
**April 25-26, 2026**

**NOTICE TO PLAYERS**

(This information supplements the Championship entry and the Standard Local Rules and Terms of Competition for 2026 VSGA Championships)

**Tee Markers**

Boys: Blue tees | Girls: Gold tees

**Format**

18-hole stroke play each day. Each round will be played as four (4) nine-hole rounds.

**Caddies/Transportation**

Players may have a caddie, but he/she must meet the same age requirements for the tournament as the player. Players and caddies must walk at all times.

**Out of Bounds**

Is defined by the line between the course-side points, at ground level, of white stakes, public roads, and fence posts. A ball which comes to rest on or across a public road defined as out of bounds is out of bounds even though it may lie on another part of the course.

**Dropping Zones**

There are no drop zones in play for this competition.

**Abnormal Course Conditions**

Immovable Obstruction - Hole #17: The cement drain that runs through the fairway is deemed an immovable obstruction and the player may take relief under Rule 16.1.

**Pace of Play**

Please refer to the official scorecard, VSGA Standard Local Rules (QR code below), and VSGA.org for the complete pace of play policy.

**Scorecards/Scoring Area**

The digital scorecard used via the app is the unofficial scorecard. The official scorecard is the paper scorecard which needs to be verified in the scoring area. Scoring will be done in the Oaks ball room. A competitor is deemed to have left the scoring area when they have left the property. The scorecard is deemed returned once the player has left the scoring area.

**Playoff/Ties**

A sudden death playoff will be held if there is a tie for the Overall Boy and/or Girl. Any ties for player rankings points will be split.

The top three players and ties from the boys' division will earn an exemption into the 2026 VSGA Junior Stroke Play Championship.

**Rules Questions**

If no rules official is present, please call Phil Cox at (703) 981-3360.

