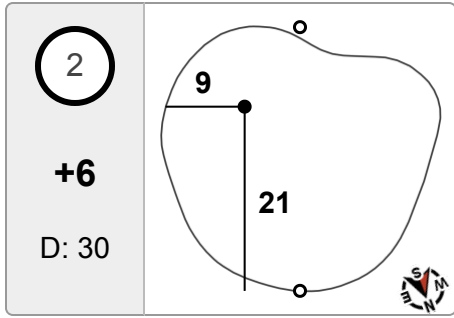


1

-1

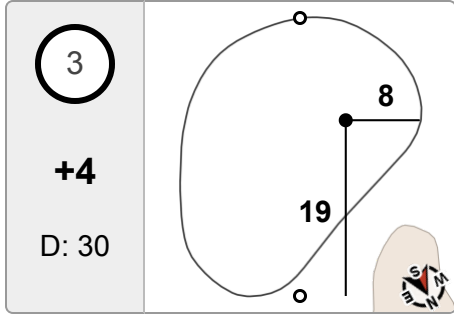
D: 35



2

+6

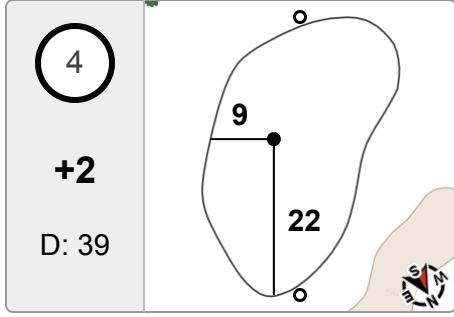
D: 30



3

+4

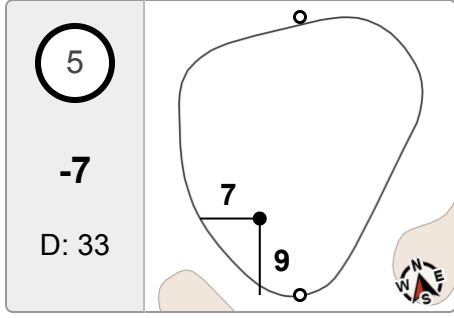
D: 30



4

+2

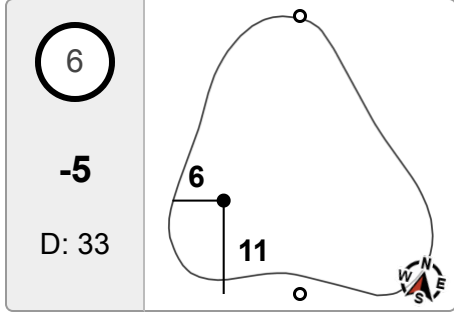
D: 39



5

-7

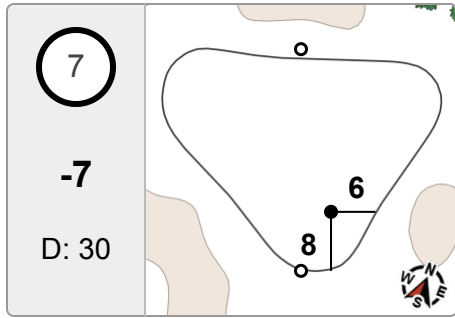
D: 33



6

-5

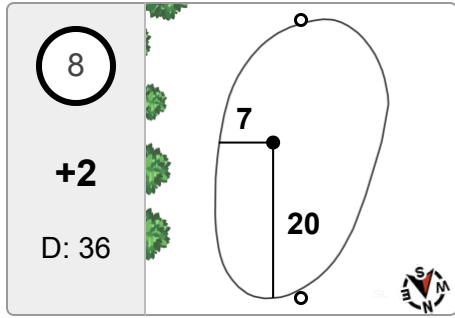
D: 33



7

-7

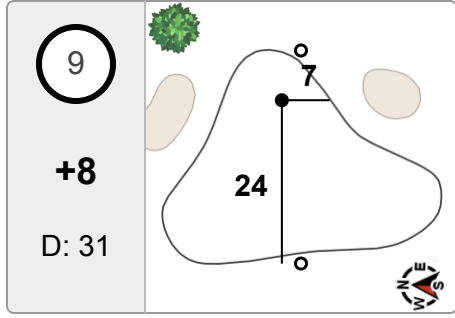
D: 30



8

+2

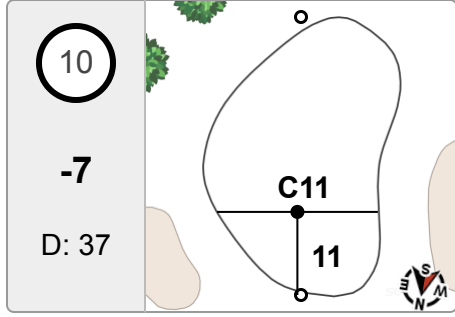
D: 36



9

+8

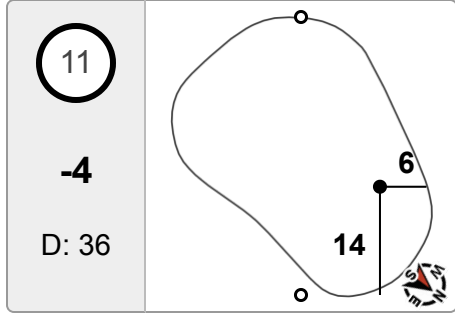
D: 31



10

-7

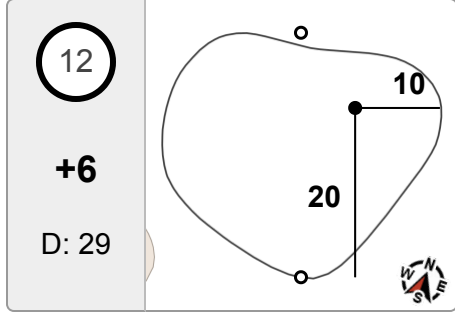
D: 37



11

-4

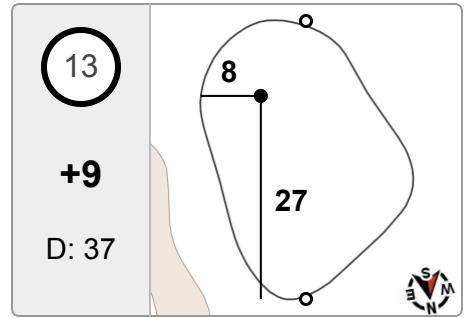
D: 36



12

+6

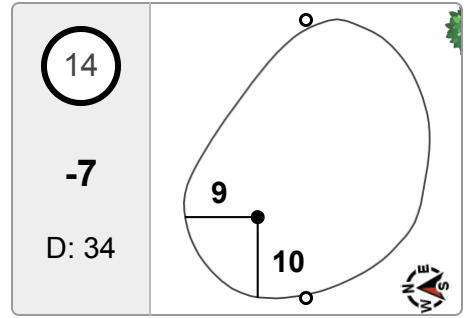
D: 29



13

+9

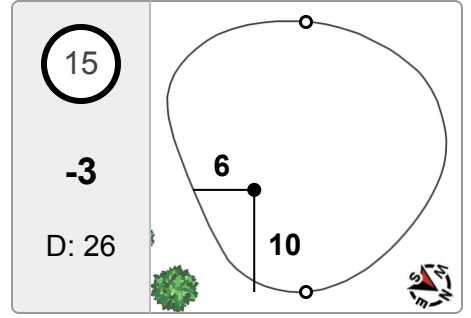
D: 37



14

-7

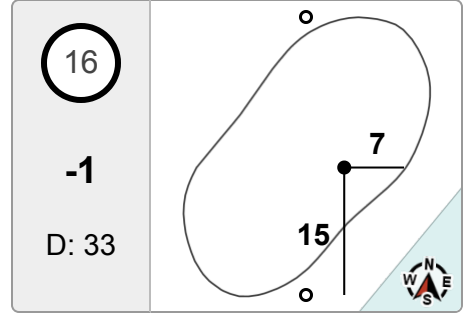
D: 34



15

-3

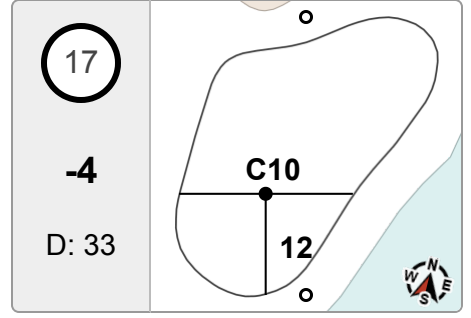
D: 26



16

-1

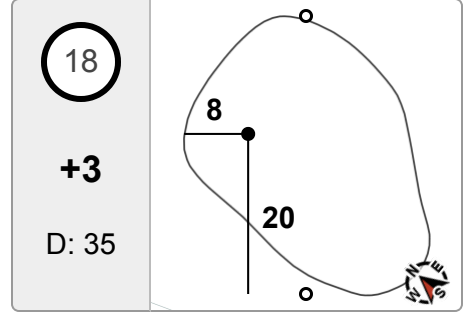
D: 33



17

-4

D: 33



18

+3

D: 35



2026 VSGA Amateur/State Open of Virginia Qualifying

The Golf Club at Mattaponi Springs

June 9, 2026

Notice to Players

(This information supplements the Championship entry and the Standard Local Rules and Terms of Competition for 2026 VSGA Championships)

Format/Tee Markers: 18-hole stroke play. Play will be from the **BLACK** tee markers.

Out of Bounds: In addition to the line between the course-side points, at ground level, of white stakes and fence posts, out of bounds is also defined by the course side edge of the maintenance building.

Obstructions: Rock walls adjacent to cart paths are played as part of the cart path.

Caddies/Transportation: Players may have a caddie and caddies may ride in carts only if there is a seat available. Spectators (outside influences) may ride in carts if there is a seat available.

Pace of Play: Please refer to the VSGA Standard Local Rules, and VSGA.org for the complete pace of play policy.

Scorecards/Scoring Area: The digital scorecard used via the Golf Genius app is the unofficial scorecard. The official scorecard is the paper scorecard which needs to be verified in the scoring area which will be on the patio behind 18 green.

Ties/Playoff: There are six (6) spots available for the VSGA Amateur Championship and three (3) spots available for the State Open of Virginia. A sudden death playoff to determine the final spot and three (3) alternate spots for both the VSGA Amateur Championship and State Open of Virginia will be held immediately after the completion of play. If players are not present the winner of the playoff will be decided using a random method.

Rules Questions: If you have any questions on the rules, please locate the nearest Rules Official or call Caleb McCall at (770) 653-9220.

VSGA Local Rules and Terms of the Competition: To access the VSGA Local Rules and Terms of the Competition, please scan the QR code below.

